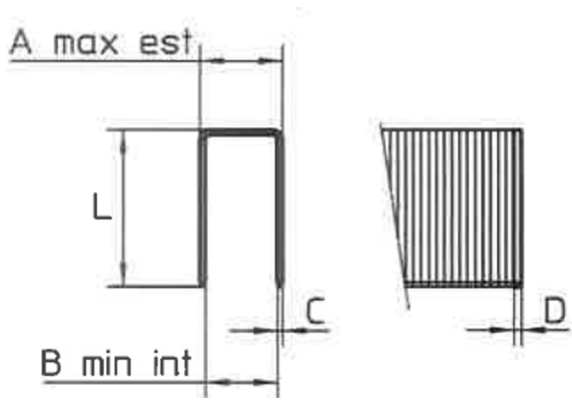
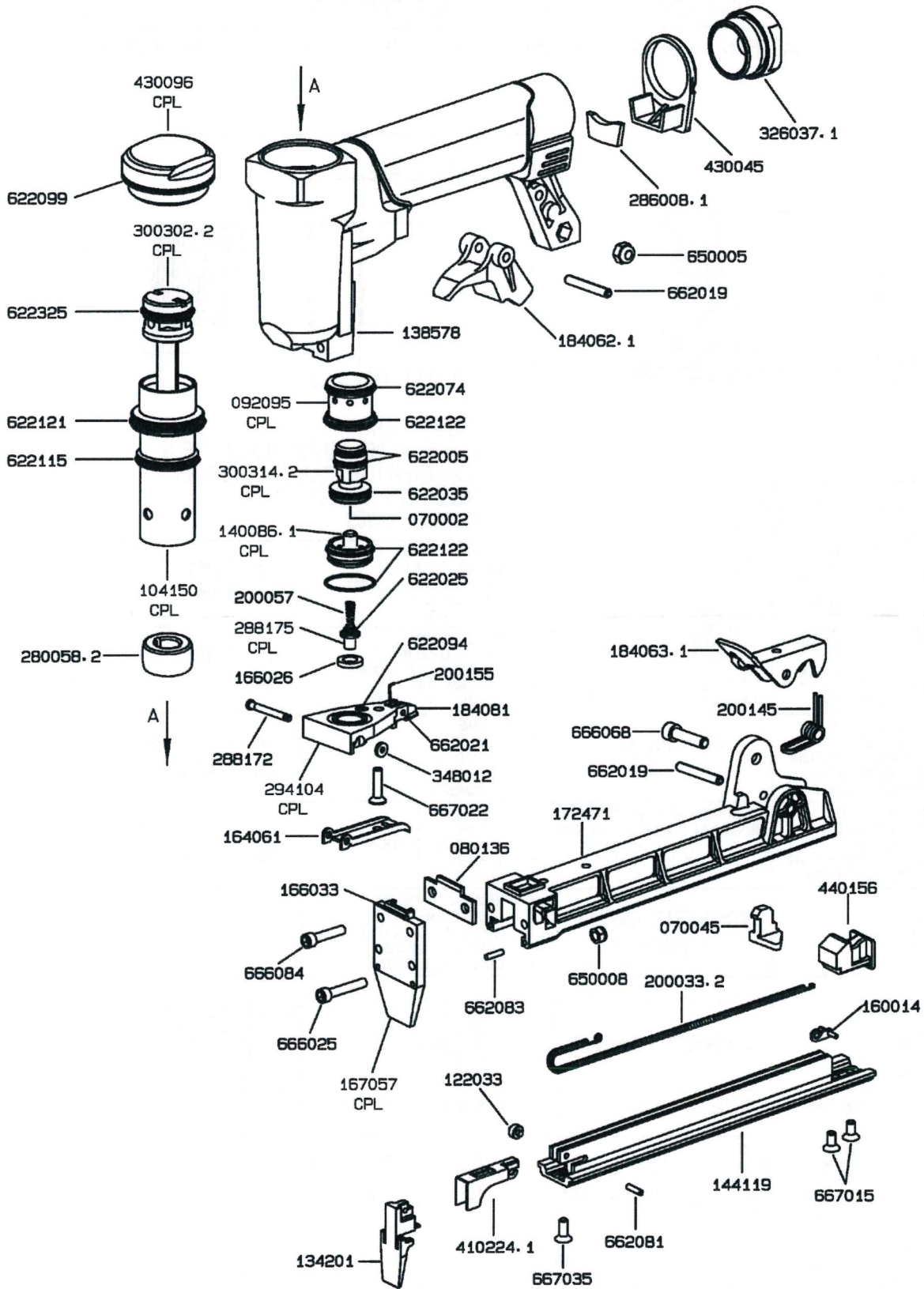


F1B7C-16

USE, MAINTENANCE & SPARE PARTS MANUAL



TECHNICAL DATA		Type of Fastener
Fastener Data: <ul style="list-style-type: none"> • Outside Crown 9.0mm • Inside Crown 7.7mm • Wire 0.60 x 0.75mm • Length 6-16mm • Magazine Capacity 180 staples 		
Min-Max Working pressure	4 / 7 bar 60 / 100 psi	
Air consumption per cycle	0.013 SCF 0.37 L	
Weight kg	0.780kg	
Tool dimensions height x width x length (mm)	157 x 42 x 218	
Noise characteristics	79.70 dB L _p A 89.02 dB L _w A	
Actuation System	1 (Safety:Manual)	
Loading	Bottom loading	
Lubricant	BCNZ617 oil	



Code	RSP	Qty	Description
070002	R	1	BUFFER
070045.1	R	1	BUFFER
080136		1	REST
092095		1	BUSH
104150		1	CYLINDER
122033		1	PULLEY
134201		1	NOSE RAIL
138578		1	BODY
140086.1		1	TRIGGER VALVE
144119		1	SLIDER
160014		2	HOOK
164061		1	TRIGGER
166026	R	1	GASKET
166033	R	1	GASKET
167057		1	PLATE
172471		1	LOADER
184062.1		1	CATCH
184063.1		1	CATCH
184081		1	CATCH
200033.2	R	1	SPRING
200057	R	1	SPRING
200145	R	1	SPRING
200155	R	1	SPRING
280058.2	R	1	BUMPER
286008.1		1	MUFFLER
288172		1	PIN
288175		1	PIN
294104		1	PLATE
300302.2	R	1	DRIVER PISTON
300314.2		1	PISTON
326037.1		1	ADAPTER
348012		1	SPACER
410224.1	R	1	PUSHER
430045		1	COVER
430096		1	CAP
440156		1	SLOT
622005	R	2	O-RING
622025	R	1	O-RING
622035	R	1	O-RING
622074	R	1	O-RING
622094	R	1	O-RING
622099	R	1	O-RING
622115	R	1	O-RING
622121	R	1	O-RING
622122	R	3	O-RING
622325	R	1	O-RING
650005	R	1	NUT
650008	R	2	NUT
662019	R	1	PIN
662021	R	1	PIN
662081	R	1	PIN
662083	R	2	PIN
666025	R	2	SCREW
666068	R	1	SCREW
666084	R	2	SCREW
667015	R	2	SCREW
667022	R	1	SCREW
667035	R	1	SCREW

R = Recommended spare parts